

ESROC

EUROPEAN SLOTRACING ORGANIZATION COMMITTEE

RULEBOOK 2021

Revision December.21.2020

TABLE OF CONTENTS

1	ESROC				
	1.1	ESROC MEETING	3		
	1.2	EUROPEAN CHAMPIONSHIPS RACE ORGANIZER	3		
	1.3	JURY	3		
	1.4	RACE CLASSES	3		
	1.5	ESROC PRESIDENT	4		
2	GENERAL RULES				
	2.1	GENERAL	5		
	2.2	TRACK	5		
	2.3	SMOKING	5		
	2.4	ALCOHOL	5		
	2.5	UNSPORTSMANLIKE CONDUCT	6		
	2.6	PROTEST	6		
	2.7	WORLD CHAMPIONSHIPS	6		
	2.8	PRACTICE	6		
	2.9	PRE-RACE REGISTRATION	6		
	2.10	SCHEDULE	7		
3	TECHNICAL SPECIFICATIONS				
	3.1	SCALE	8		
	3.2	WIDTH	8		
	3.3	WHEELS	8		
	3.4	CLEARANCE	8		
	3.5	GUIDE FLAG	8		
	3.6	BODY	8		
	3.7	CHASSIS SPECIFICATIONS	8		
	3.8	MOTOR SPECIFICATIONS	9		
	3.9	AIR CONTROL DEVICES	9		
	3.10	PARTS REPLACEMENT	10		
	3.11	CONTROLLER SPECIFICATIONS	10		
	3.12	CAR ILLUSTRATION	10		
4	MISCELLANEOUS PROCEDURES				
	4.1	BLACK FLAG	11		
	4.2	TRACK CALLS	11		
	4.3	LAP COUNTER	11		
	4.4	MARSHALLING	12		
	4.5	LANE CHANGE	12		
	4.6	GLUE CONDITIONS	12		
	4.7	ARMATURE PROTEST	13		
	4.8	G12 LOW COST PROTECTION	13		
5	SPRINT RACE PROCEDURE				
	5.1	REGISTRATION	14		
	5.2	DRIVERS' MEETING	14		
	5.3	TECHNICAL SPECIFICATIONS	14		
	5.4	PARC FERMÉ DURING THE RACE	14		
	5.5	QUALIFYING	14		
	5.6	THE RACE G7	15		
	5.7	THE RACE G27	15		
	5.8	RACE ORDER	16		
	5.9	MOVE-UP SYSTEM	17		
6	OMO, G12 & G27-L RACE PROCEDURE				
	6.1	REGISTRATION	18		
	6.2	DRIVERS' MEETING	18		
	6.7	TECHNICAL SPECIFICATIONS	18		
	6.5	PARC FERMÉ DURING THE RACE	18		
	6.3	QUALIFYING	18		
	6.4	THE RACE	18		
	6.6	WARM UP	18		
7	TEAM RACE PROCEDURE				
	7.1	GENERAL	19		
	7.2	TEAMS	19		
	7.3	TECHNICAL SPECIFICATIONS	19		
8	SKETCH SCHEDULE				

1 ESROC

ESROC is a non-profit organization to promote slotracing in wingcar classes in Europe. ESROC organizes maximal three races per year: The European Championships races in classes G12, G27L, OMO, G27 and G7, ESROC Team Race in class G27 and World Championships once every 3 years, in co-operation with USRA and NPRA.

1.1 ESROC MEETING

ESROC meeting is the only official decision-making body in ESROC. The rules and regulations are made by the yearly ESROC meeting, taking place at the European Championships race.

Country will have right to vote at the ESROC meeting if it has had drivers attending to European Championship race two years in a row. Right to vote is in power at the second row year. To loose right to vote, country has to be absent from two European Championship races in a row. Each country who comply with previous regulations has one vote. In the ESROC meeting, every country can have two representatives. Countrys representatives can attend to ESROC meeting even it has not right to vote.

Exception: Everything else will be decided at the ESROC meeting, except for the location and time of the EC team race. EC team race location and time will be decided at previous year's EC team race.

The entry fee for each individual EC race will be 30€ in G12, G27L, OMO, G27 and 35€ in G7 (in team race 60€ / team) or equivalent in national currency. **To be able to partitipate (in either Europeans, Nordic or World Championships) each racer needs a Esroc Licence. Esroc license fee is 10 euro and is valid for all classes on every race during one year.**

ESROC won't collect any deposit from the race organizers as far as ESROC has enough money to cover annual costs. Safe level is minimum amount of 250 Euros bank roll.

1.2 EUROPEAN CHAMPIONSHIPS RACE ORGANIZER

Organizing rights for ESROC European Championships races are granted to the national organization of the selected host country, not to a club. The country can decide where the race will be held.

The European Championships will rotate between the countries capable organizing European Championship races. In ESROC meeting unanimous decision has to made to deviate this. New locations willing to organize races shall 1st attend Europeans event and then send application for the race to ESROC meeting for approval. European Championship race shall be organized in continental Europe. If some race organizer is in favor of ESROC meeting to organize the race, but they don't want to have the event next year, they have right to postpone their race opportunity for a one single year.

1.3 JURY

In ESROC races, disputes are solved by a jury. The jury consists of one representative from each participating country, plus the president. In case of a even number of countires are represented, president has one vote to break possible tie.

1.4 RACE CLASSES

ESROC classes are G12, G27L, G27, OMO & G7. The winners of G27L, G27, OMO, and G7 races are European Champions. Winner of G12 is junior European champion. Race will have European championship status if there is atleast eight participants in the class.

1.5 ESROC PRESIDENT

ESROC president is chairman of ESROC meeting. President is responsible to update ESROC rulebook and keep record from the ESROC meetings. The inking time for ESROC president is 3 years and one person can be ESROC president only 2 periods. ESROC will pay presidents entry fees at European championship race. In case voting in EEROOC meeting ends to tie situation, president then has one vote.

2 GENERAL RULES

2.1 GENERAL

All cars/racers are expected to comply with these guidelines.

- A. All racers are responsible for the legality of their equipment.
- B. Any rule that is in question or being interpreted improperly will be clarified by the ESROC president and / or the jury.
- C. The organizers have to provide prizes at least for the best 8 drivers in each class.
- D. ESROC provides rotation prize for winner of G7 European Championship.
- E. The European Championship race in G7 and G27 will follow the race procedure shown in chapter 5 and OMO, G12 and G27L races will follow race procedure shown in chapter 6. Exception for classes G12 and G27L: Rule point 6.5.f is not valid.
- F. The ESROC Team Race race will follow the Team race procedure (see chapter 7).

2.2 TRACK

For the European Championships, the race track has to be equipped with:

- A. An automatic lapcounting system (computer). ,
- B. One monitor has always to be in front of the racers and viewable from the racers' position during the race.
- C. The lanes have to be marked with colors and/ or numbers, the use of colors is preferred.
- D. It is strongly recommended the lap counter be positioned after the banking. Every new track to be used in European Championships (starting 2002) has to comply with this recommendation.
- E. The plugs for controllers have to be marked with Parma colors only. Positive=White, Negative (Brake)=Red, Wiper=Black.
- F. Banana plug (ø 4mm) contacts are mandatory, additional contacts may be used to meet national standards.
- G. The positive pole may be on either side of the slot, but its side has to be mentioned in the invitation.
- H. Qualifying in spray glue conditions should be carried out by using race voltage. 14.3 volts will be maximum voltage to be used for racing in glue classes and for racing and qualifying in spray glue classes. The voltages used in qualifying and race have to be mentioned in the invitation. This voltage is to be measured, unloaded without the cars on the track, using accurate digital voltmeters to record the values.
- I. In the invitation of the Europeans race organizer should provide the brand and mark power supply to be used for racing. In case of unconstant or abnormal track power conditions apply during the race, organizer should be able to prove that power conditions are suitable to proceed racing. In the case of uncertainties ESROC meeting will be called in to make decision. Logical drop in power which is dependant by the number of the cars running at the track same time, is not considered abnormal condition.

2.3 SMOKING

Smoking is prohibited within the room of the racetrack and connected rooms.

2.4 ALCOHOL

Drinking alcohol within the room of the racetrack and connected rooms is prohibited. Drivers, not able to control their car properly due to excessive consumption of alcoholic beverages, will be excluded from the race.

2.5 UNSPORTSMANLIKE CONDUCT

Unsportsmanlike conduct on the part of a driver or turn marshall will be subject to immediate disqualification at the discretion of the race director. Verbal abuse or profanity will not be tolerated. The race director may first warn drivers, marshalls or pit men if their behaviour is unacceptable. Serious or repeat violations will result in a 5 lap penalty for the first infraction and disqualification for the second. Repeat offenders of any unsportsmanlike conduct guidelines may be prohibited from future ESROC events.

2.6 PROTEST

A competitor may protest another racers equipment by officially informing the race director. Special provisions for armature protest are in the following section.

2.7 8 WORLD CHAMPIONSHIPS

A. ESROC, NPRA (Brazil) and USRA (USA) have decided to rotate the World Championships in each continent. Year 2018 the race will be held in Brazil, year 2019 in USA and year 2020 in Europe. The same rotation will be continued.

B. When the race is in Europe, ESROC will be the organizer. The body and ESROC rules will be used. The race classes are beginners class G12 , G27L, OMO, G27 and G7. The beginners class and it's rules must be known at least one month before the event. Entering to the beginners class and in G7 in same event is not possible. Also not possible to enter beginners class for "Pro racers" (racers who finished last 3 years on podium of Wingcar worlds, European championship or USRA Nats Division.1). The classes G27L, OMO, G27 and G7 are opened for every one racer.

C. The venue for the next World Championships race in Europe must be decided in the extra ESROC meeting that will be held in the previous ESROC-hosted Worlds (i.e. 3 years in advance). Only European countries' representatives can attend that meeting.

D. The national organization of the country hosting the World Championships under ESROC jurisdiction will be responsible for the running of the race, and can decide where the race will be held.

E. The date for the Worlds must be between and including May 15th–June 15th. It is recommended not to organize the race over Mothers' day weekend or break of the months. At least 2 weeks' space around the event must be kept free of important races.

F. Spray glue conditions will apply during the G27L race.

G. OMO and G27L races will follow race procedure shown in chapter 6 incl. exceptions. G27 and G7 races follow the race procedure in chapter 5.

H. Trophies for the first 8 drivers + TQ and concours winner in each class.

I. By unanimous approval of ESROC, organizer may alter race procedures to meet sensible time schedule when amount of registered drivers is high.

J. There will be rotation system when World Championship is organized by ESROC. Similar system will be used as it is used in European championship rotation. 2017 Bruhl (D), 2020 Pilsen (CZ), 2023 Laihia (FIN) etc.

2.8 9 PRACTICE

Sufficient time must be given for the racers to practice on the track in race conditions. Practicing is always free of charge for at least two days prior the first ESROC race, commercial raceways may charge their regular fee before this. It is suggested the track and the race room be kept open until as late in the night as possible. It is suggested a local race type "Semi-Pro" be organized prior the ESROC event (on Wednesday or Thursday the same week) for less experienced racers. The top drivers should not enter this race. This race must be over by 20.00 (8.00 PM) on the Thursday evening to allow sufficient (free) practice for the ESROC classes. See also chapter 8.

2.9 10 PRE-RACE REGISTRATION

Races organized by ESROC, drivers are assumed to pre-register to classes they are going to drive. This procedure makes organizers job easier when make pre race arrangements like schedule and pits arrangements. Pre-registration should end two weeks prior first race. Drivers who have not pre-registered should pay 20% rised entry fee per class. The race organizer may handle the pre-registration at the way they prefer.

2.10 SCHEDULE

ESROC gives schedule sketch for the European championship race. By the approval of ESROC, organizer may change schedule as they want to. Sketch can be found from the last page of the rulebook.

3 TECHNICAL SPECIFICATIONS

3.1 SCALE

The size of scale to which the cars must be built is 1/24th of the actual race car.

3.2 WIDTH

Maximum width of the car is 82.6 mm. Round head body mounting pins may extend beyond this width. Other type body pins such as glass head or "T"-type are not allowed.

3.3 WHEELS

All cars must have front and rear wheels (2 each) with rubber tires. Front wheel minimum diameter is 12.7 mm. Front wheels must rotate on their axles.

3.4 CLEARANCE

The minimum clearance for chassis, gear and motor is 0.8 mm. A driver, being caught with less than 0.8 mm on his car after his qualifying run will have his time disallowed and will be placed in the lowest race. Technical inspections can be made during the race (track call or lane change), and if a car has less than 0.8 mm at any time during the race, the car has to be corrected and checked by the technical inspector during race time before it can return to the track. No penalty is given for too low clearance. The technical inspector has to point out the area that is too low (motor dragging, bent chassis, etc.).

3.5 GUIDE FLAG

One guide or pickup device per car.

3.6 BODY

Designs should resemble full size race cars. Manufacturers are urged to maintain scale proportions. Variations are allowed to conform to "state-of-the-art" practices.

A. Paint: All bodies must be fully painted and opaque from above when sitting on the tech block. The sides of the body may remain clear. Bodies should be detailed to resemble full size racecars. All cars must display three numbers of reasonable size and position, The numbers must be painted (on the underside of body) or as stickers.

B. Interior: All cars must contain a suitable painted, 1/24th scale, detailed driver with helmet, shoulders, arms and steering wheel mounted in the original cockpit position at all times during the race. Plastic and color printed paper drivers permitted.

C. Windshields: Windshields must be clear.

D. Fender wells: Fender wells must be transparent; the front wheels must be visible when viewed from either side of the car.

E. Body openings: The chassis and guide flag must be completely covered by the body and air control when viewed from above, except for the body openings.

3.7 CHASSIS SPECIFICATIONS

At the technical inspection chassis will be engaged to make sure that only one chassis is used during the race.

A.No restrictions for G27, OMO & G7.

B.Only steel chassis allowed for G12 & G27L.

3.8 MOTOR SPECIFICATIONS

A. G7 No restrictions.

B. G27 a. Set up: No restrictions.

b. Armature: Must be tagged with at least the number "27" and approved by USRA. Must be commercially available. Must be wound with a minimum of 38 series wound turns of AWG 27 wire per pole. AWG 27 wire, excluding insulation, is \varnothing 0.358 mm maximum. Armature stack lamination length shall be a minimum of 11.17 mm. (Using calipers with the faces across each end of the pole) and only the actual lamination material shall be used to determine this figure. This is meant to specifically exclude, as an example, such practices as the insertion of spacer type materials between the laminations, abnormally thick applications of coatings or any methods of artificial compliance with the rule. Any armature that has been purposely altered or tampered with, to make the stack appear longer, so as to attempt to comply with the length rules as listed, shall be declared illegal at the tech inspector's discretion.

c. Only one change of motor per stage of race allowed (2 motors for each driver, will be marked before racing.) race. Different marking colours for these have to be used.

C. G27L

As per art. 3.8.B, except for the following limitations:

a. Only one change of motor per stage of race allowed (2 motors for each driver, will be marked before racing.) race. Different marking colours for these have to be used.

b. Only single magnets allowed. Size of magnets should be .400x.440" within 5% tolerance.

D. OMO

As per art. 3.8.A, except for the following limitation: Only one motor per the whole race allowed. The motor will be numbered and sealed. Opening of the motor is not allowed. Replacing the motor by another is not allowed in any condition. Brushes and springs may **not** be replaced.

E. G12

G12 motor allowed with following limitations:

a. Only stock produced C-Can allowed

b. Any endbell allowed

c. Only single magnets allowed

d. Free armature diameter

e. Slot for axle on rear side of motor is allowed

f. Only one change of motor per stage of race allowed (2 motors for each driver, will be marked before racing.) race. Different marking colours for these have to be used.

3.9 AIR CONTROL DEVICES

A. No part may exceed 63.5 mm in height, measured from the racing surface. All air control devices must be clear enough to read normal newspaper print through. Look the chapter 3.12.

B. Side dams: May be a maximum of 63.5 mm in height aft of the rear wheel centreline and continue on a taper making them a maximum of 50.8 mm high at a point 95.3 mm forward of the rear wheel centreline. The same taper must continue ahead of the front wheels. The front edges must be taped and rounded in a manner suitable to avoid injury to race participants and spectators. Side dams must be clear, although suitable decals and markings may be affixed. Look the chapter 3.12.

C. Diaplane: Maximum length is 12.7 mm. Corners must be rounded. Look the chapter 3.12.

D. Rear spoiler: Must be clear, although suitable decals may be affixed.

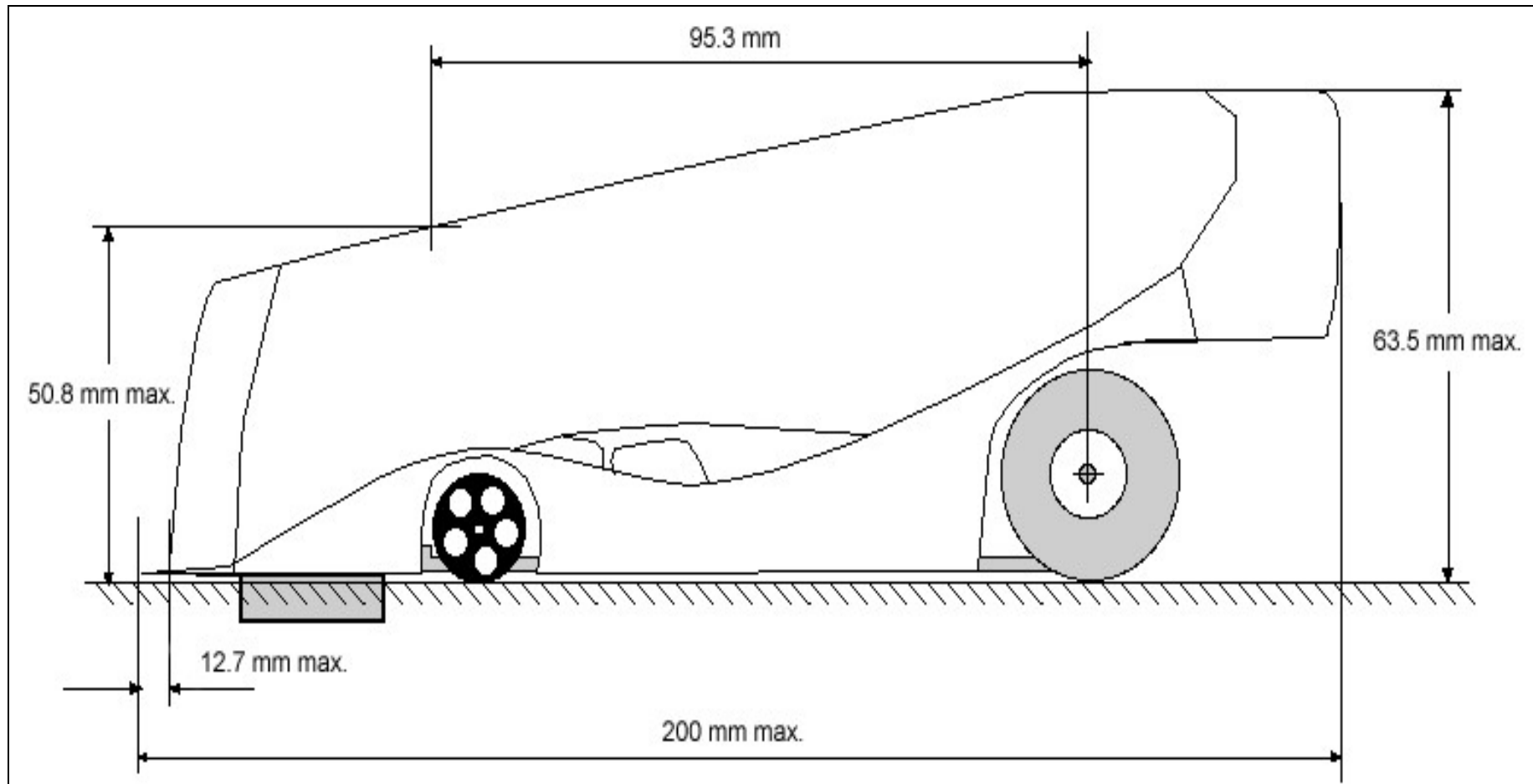
3.10 PARTS REPLACEMENT

Any component may be replaced during competition except the original chassis and body, unless class rules restrict this further. Any racer found to have switched chassis or body will be disqualified immediately.

3.11 CONTROLLER SPECIFICATIONS

Any controller / choke may be used as long as the controller/ choke uses no batteries or additional power sources to increase voltage or amperage at track braid. Controllers / chokes are subject to inspection by the ESROC president and / or jury to verify compliance with the rules.

3.12 CAR ILLUSTRATION



4 MISCELLANEOUS PROCEDURES

4.1 BLACK FLAG

The race director is obliged to black flag any car that is dragging, interfering with other cars or continuously de-slotting due to mechanical problems. Upon being black flagged, the driver must bring the car in for repairs immediately. If the problem is not corrected, the black flag may be enforced again as required.

4.2 TRACK CALLS

The power will only be turned off for extremely unfair or dangerous situations. The following are the only acceptable reasons:

- A. Braid up
- B. Power failure
- C. Debris in slot
- D. An unmarshable car
- E. Deslotted car on the straight
- F. Car in a wrong lane
- G. Suspicion of lap counter or track equipment failure
- H. Too much glue (10-lap penalty will follow, according to art. 4.6.A)

An illegal track call (none of the above applies) will result in a 2 lap penalty every time. Cars in the pits during a normal track call can be worked on. If the race has to be stopped for a longer time because of track or lap counter failure, the race director calls "no work on cars", so there will be absolutely no work performed on cars on track or in the pits. Doing so will result in a 20 lap penalty. A second infraction will result in disqualification. This includes the pit helpers of the driver.

Too much glue: If a driver has serious problems (too much glue on the track), the driver has the right for a track call to remove glue from the lane. This will result in 10 lap penalty.

4.3 LAP COUNTER

The lap counter will be considered correct unless it can be proved otherwise. The counter should be corrected if necessary (as when a car crosses in the wrong lane). If a major error occurs in the counting process that cannot be corrected, the race director may:

- A. Assign responsible stewards to count laps or verify the counter
- B. Add or subtract mutually acceptable laps as established by race officials and drivers
- C. Restart the segment
- D. Restart the race from the latest possible point

Laps should not be added or subtracted unless the race director is certain the counter is incorrect. For a major error in counting, the steps taken should preserve as much of the race as possible, while remaining as fair as possible to all.

4.4 MARSHALLING

All drivers are expected to marshal the race following their own. Substitute marshalls must be acceptable to the race director and drivers. The marshalling positions (**numbers or colors**) will be marked on the track. The assigned marshalling position of a racer is determined by his/her starting lane in the current stage of the race. All cars will be impounded after all races to ensure fair and proper marshalling responsibilities. Cars will be returned and move-up drivers will be given equal time to prepare for upcoming races.

Good racing is not possible without good marshalls. Every racer is expected to do his/her part both before and after racing if necessary. Failure to fulfill marshalling responsibilities will result in 10 lap penalty and / or disqualification.

4.5 LANE CHANGE

A. Following each lane change, all cars must be returned to the track where they stopped. Drivers have to use lane change cards with their name one it to mark their stopping position. The lane change card is always positioned on the driver's next lane. Putting a car back on the track in an advantageous position will result in a 5 laps penalty. A second infraction will result in disqualification. It is the drivers responsibility to know where the car stopped. When the car is removed from the track during racing, the same rule applies. Corner marshalls should notice the cars stopping in their section and pay close attention to cars near the lap counter section. At the conclusion of each race, cars will be left on the track until the order of finish is positively determined.

B. During a round-robin race, the car(s) with a sit-out turn will be held in the parc fermé or at the race control booth during racing, effective immediately after the end of the previous segment. The sections will be marked and car will be returned to the same location after the sit-out (car will be released immediately after the end of the last sit-out segment).

C. Lane change rotation during an 8-segment race is red (1) ► green (3) ► blue (5) ► purple (7) ► black (8) ► yellow (6) ► orange (4) ► white (2) ► (possible sit-outs) ► red (1). Note: Sit-out places are based on Lane Master lap counting program.

4.6 GLUE CONDITIONS

A B. SPRAY GLUE

Spray glue can be applied to the track by the organizer; racers must not apply any glue. Spray glue conditions is applied to all classes (G12, G27L, G27 and G7).

B C. TRACK CLEANING

All braid and the track surface of all straight sections may be cleaned.

C D. ACCIDENTAL SPILLAGE

If an accidental spillage occurs, the race director may respray the affected area to restore fair racing conditions. PLEASE NOTE: Most cleaning solutions are FLAMMABLE! Care must be taken during their use. Fire extinguishers should be located in the immediate area and other necessary precautions taken to ensure safety.

4.7 ARMATURE PROTEST

Any competitor may protest another's armature. The competitor must officially inform the race director, at which time the race will be stopped. The protester may "buy a look" by posting a 5€ fee. He is then entitled to look at the suspected armature in the car. If not satisfied, he may formally protest which requires posting a fee equal to double the current manufacturers suggested retail price of their respective armature. The "buy a look " fee is transferable. At this time, the armature must then be nondestructively and indelibly marked (suggest unique Dremel marks on the shaft). Extreme care must be exercised to avoid damage to armature balance and delicate components such as ball bearings, motor brushes, etc. An impartial race steward must then be charged with the responsibility of observing and verifying the authenticity of the armature for post racing inspection. The race will then be restarted. Through disassembly and inspection must be conducted immediately upon completion of racing, and must be conducted in a manner assuring accurate technical verification. This can be accomplished by destroying any epoxy or similar binder with extreme heat (a common torch does this nicely). Then dissecting the armature with a Dremel and carefully measuring the wire and counting the turns. The fees will be held by the race director until resolution of the matter, then promptly surrendered to the appropriate party. Likewise, any winnings and/or points will be held pending the outcome of the inspection. " Buy a look " proceeds go to the protested party if not applied to a FORMAL PROTEST.

4.8 G12 LOW COST PROTECTION

At the G12 class racer have to sell her / his car after the race if someone wants to buy it. Maximum price is 150 € or equivalent in national currency. If there are more drivers who want to buy it we will draw random the buyer. The reason is to keep costs low in entry class. If driver wont sell his car, it will be understood serious unsportsmanlike conduct. See rule 2.5.

5 SPRINT RACE PROCEDURE

5.1 REGISTRATION

All cars shall be inspected and impounded prior to qualifying.

A. No cars will be accepted after announced registration closing time.

B. The chassis should be engraved with the driver's entry number and the initials of the tech inspector. The body should be marked with a spot of non-removable paint.

5.2 DRIVERS' MEETING

It is suggested that a drivers' meeting be held prior to qualifying to discuss race and qualifying procedures, marshalling responsibilities, race, conduct, glue rules, track calls, etc. Drivers with specific questions should ask them at this time

5.3 TECHNICAL SPECIFICATIONS

Chapter 3 applies.

5.4 PARC FERMÉ THE DURING RACE

All cars that will start in the next stage (heats, quarterfinals, etc.) of the race, will be impounded in parc fermé before the start of the first race. The cars will be given to the drivers 5 minutes before the start of their race. The cars which made their way in further races will be returned to the parc fermé after the end of the race. An equal and sufficient time (at least 30 minutes) will be given to all racers to repair their cars between the stages. Track power is on during repair time. This time also includes practice for the first group raced in each stage. Between groups each group (except first) will have 5 minute practice. No cars in parc fermé during a night.

5.5 QUALIFYING G7

A. ORDER:

Determined randomly, such as drawing from a hat.

B. FORMAT:

a. A two minute run is allowed to establish the fastest single timed lap. Back up times will be recorded to alleviate tie breakers.

b. The first qualifier will receive extra time to break in the qualifying lane (with a spare car, if necessary).

c. Byes: A racer may take a bye for any reason (may abort initial qualifying attempt and re-attempt during the bye round). Thirty seconds will be deducted from the racer's remaining time as a penalty for using a bye. Cars will be technically inspected prior to the bye round. Times made during the initial attempt and the bye round will count. Byes will be run (racers' remaining time less thirty seconds deduction) at the end of qualifying in the same order as the original round.

d. No shows: Any registered racer not present to qualify when called will be given an automatic bye. Any racer unavailable for the bye will stand by his/ her previous best time.

e. After first qualifying attempt cars go back to parc fermé. When all drivers have finished their first qualifying attempt cars can be collected. After 15 minutes, cars have to be back in parc fermé. A driver not handing back his car in time can not run his bye round. After bye run, cars go back to parc fermé, and can be collected after the end of qualifying.

f. To qualify further in race, driver must pass counter during the qualifying session. Driver can run on any lane in qualification.

5.6 THE RACE G7

Modified Australian race format:

- A. The race consists of a series of heats, quarterfinals, semifinals and a final, depending on the number of entries.
- B. All races will be contested over 8 lanes.
- C. All races will be on a move-up basis, i.e. 4 fastest from each race will move up, unless stated otherwise.
- D. From the qualifying, racers will be placed in their respective races using snake system.
- E. Depending on the number of entries, the following applies:
 - a. 2-8 racers: Final only.
 - b. 9-16 racers: Two semis and a final. Four fastest from each semi move up.
 - c. 17-20 racers: Top 12 from qualifying in to semis. Last 5-8 racers to one heat (top 4 move up), two semis and a final.
 - d. 21-24 racers: Top 8 from qualifying in to semis. Last 13-16 racers to two heats (top 4 from each move up), two semis and a final.
 - e. 25-28 racers: Top 4 from qualifying in to semis. Last 21-24 racers to three heats (top 4 from each move up), two semis and a final.
 - f. 29-32 racers: All racers into four quarters. Four fastest from each quarter move up to semis. Two semis (four fastest from each move up) and a final.
 - g. 33 racers: Top 25 from qualifying into quarters. Last 8 racers to one heat (top 7 move up), four quarters, two semis and a final.
 - h. 34 racers: Top 26 from qualifying into quarters. Last 8 racers to one heat (top 6 move up), four quarters, two semis and a final.
 - i. 35 racers: Top 27 from qualifying into quarters. Last 8 racers to one heat (top 5 move up), four quarters, two semis and a final.
 - j. 36 racers: Top 28 from qualifying into quarters. Last 8 racers to one heat (top 4 move up), four quarters, two semis and a final.
 - k. 37-38 racers: Top 22 from qualifying into quarters. Last racers to two heats (top 5 from each move up), four quarters, two semis and a final.
 - l. 39-40 racers: Top 24 from qualifying into quarters. Last racers to two heats (top 4 from each move up), four quarters, two semis and a final.
 - m. 41-48 racers: Top 16 from qualifying into quarters. Last racers to four heats (top 4 from each move up), four quarters, two semis and a final.

Lane choice will first be determined by the qualifying results, and then by lap total and finishing position. The picking order between the heats, quarters and semis will be determined by the lap totals of their winners (i.e. winner of the fastest quarter will have the first pick, then the winner with 2nd most laps, then the winner with 3rd most laps, then the winner with least laps, then the 2nd finisher in the fastest quarter, and so on). The lucky losers (best by laps) will pick their lanes last.

~~5.7 THE RACE G27~~

~~All mains format~~

~~Race format is as shown in Chapter 6.6. Driver can work with their cars after their qualifying for atleast 30 minutes. All cars has to be returned to the pare ferme before first main starts. Practices as described in Chapter 5.4.~~

5.8 RACE ORDER

Races always start with the lowest group. Racers can always choose the lane they want to start on.

ORDER OF RUNNING:

Heat	D-C-B-A
Quarter	D-C-B-A
Semi	B - A
Final	A

DRIVING & LANE CHANGE TIME

	G12 or G27-L		OMO		G27		G7	
Heat					8 x 2 min.	3 min.	8 x 2 min.	3 min.
Quarterfinal					8 x 2 min.	3 min.	8 x 2 min.	3 min.
Semifinal					8 x 3 min.	3 min.	8 x 3 min.	4 min.
Final	8 x 4 min.	3 min.	8 x 4 min.	4 min.	8 x 4 min.	4 min.	8 x 5 min.	5 min.

5.9 MOVE-UP SYSTEM

Final

1st in faster semi
 1st in slower semi
 2nd in faster semi
 2nd in slower semi
 3rd in faster semi
 3rd in slower semi
 4th in faster semi
 4th in slower semi

If there are 2-8 racers, lane choice in final by qualifying result.

Semifinal A

1st in faster quarter A or B (or Qual #1)
 1st in slower quarter A or B (or Qual #4)
 2nd in faster quarter A or B (or Qual #5)
 2nd in slower quarter A or B (or Qual #8)
 3rd in faster quarter A or B (or Qual #9)
 3rd in slower quarter A or B (or Qual #12)
 4th in faster quarter A or B (or Qual #13)
 4th in slower quarter A or B (or Qual #16)

Semifinal B

1st in faster quarter C or D (or Qual #2)
 1st in slower quarter C or D (or Qual #3)
 2nd in faster quarter C or D (or Qual #6)
 2nd in slower quarter C or D (or Qual #7)
 3rd in faster quarter C or D (or Qual #10)
 3rd in slower quarter C or D (or Qual #11)
 4th in faster quarter C or D (or Qual #14)
 4th in slower quarter C or D (or Qual #15)

When 17-19 racers, the racers from the three quarters are classified in the following fashion: 1st in fastest quarter (Semi A), 1st in 2nd fastest quarter (Semi B), 1st in slowest quarter (Semi B), 2nd in the fastest quarter (Semi A), etc., placing the lucky losers last on the list according to their laps.

Quarterfinal A

1st Qualifier
 8th Qualifier
 9th Qualifier
 16th Qualifier
 17th Qualifier
 24th Qualifier
 25th Qualifier
 32nd Qualifier

Quarterfinal B

2nd Qualifier
 7th Qualifier
 10th Qualifier
 15th Qualifier
 18th Qualifier
 23rd Qualifier
 26th Qualifier
 31st Qualifier

Quarterfinal C

3rd Qualifier
 6th Qualifier
 11th Qualifier
 14th Qualifier
 19th Qualifier
 22nd Qualifier
 27th Qualifier
 30th Qualifier

Quarterfinal D

4th Qualifier
 5th Qualifier
 12th Qualifier
 13th Qualifier
 20th Qualifier
 21st Qualifier
 28th Qualifier
 29th Qualifier

When it's needed to drive heats, move up places will be taken normal quarterfinal places from the qualifying.

- Example 1: If one heat is needed and 26 drivers make direct move up from the Qualification, winner of the heat goes to Quarter C (27th place), second of the heat goes Quarter D (28th place) and so on.
- Example 2: if two heats are needed and 22 drivers make direct move up from the Qualification, winner of the heat A goes to Quarter B (23rd place), winner of the heat B goes to Quarter A (24th place), second of the heat A goes to Quarter A (25th place) and so on.

Faster semifinal, faster quarterfinal = the semifinal / quarterfinal whose winner had most laps.

6 OMO, G12, G27L AND G-27 RACE PROCEDURE

6.1 REGISTRATION

Chapters 5.1.A and 5.1.B applies.

6.2 DRIVERS' MEETING

Chapter 5.2. applies.

6.3 TECHNICAL SPECIFICATIONS

Chapter 3.

6.4 PARC FERMÉ DURING THE RACE

All cars go to Parc fermé after technical inspection. Before qualifying organizer gives cars on the track. Driver can prepare her / his car before her/his qualifying session. After qualifying go cars back to Parc fermé.

For the race organizer put the racing cars on starting line. After the heat of each group organizer collect cars and give them back to Parc fermé.

6.5 QUALIFYING

A. ORDER:

Determined randomly, such as drawing from a hat.

B. FORMAT:

- a. A one minute run is allowed to establish the best laptime. Qualifying will be run on race voltage (no raised qualifying voltage allowed).
- b. The first qualifier will receive extra time to break in the qualifying lane (with a spare car, if necessary).
- c. No byes.
- d. No shows: Any registered racer not present to qualify when called will be classified last and placed in the lowest level of consolation races.
- e. After the qualifying attempt cars go back to parc fermé. There is no reparation of cars between qualifying and the next stage of race.
- f. Qualifying will be contested at the slowest lane of the track. Organizer of the race will determine the lane. In case organizer cannot determine the qualifying lane ESROC meeting will determine lane to be used.

6.6 THE RACE

The race consist only of final groups. The number of registrated drivers will be devided in to equal member groups. If not possible, lowest number of drivers will be at the worst group. The worst group start the race. The winner is the driver with most laps and segments. The winner of the race can come from every possible final.

For G-27: Driver can work with their cars after their qualifying for atleast 30 minutes. All cars has to be returned to the parc ferme before first main starts.

Practices as descrbed in Chapter 5.4.

6.7 WARM UP

No Warm up in the race.

7 TEAM RACE PROCEDURE

7.1 GENERAL

The race consists of qualifying and heats. The qualifying is done by one driver/ team, for 1 minute. The qualifying is based on laps and segments. Duration of race about 4 hours (2 hours on Saturday and 2 hours on Sunday) divided in 16 heats of 15 minutes, 5 minutes lane change.

7.2 TEAMS

A. 2-4 drivers/ team.

B. Each team has a marshal.

C. Each driver has to make the following quantity of heats (no driver change during drive time):

a. team with 2 drivers - 8 heats/ driver

b. team with 3 drivers - minimum 5 heats/ driver

c. team with 4 drivers - 4 heats/ driver

With 9-11 teams competing, there will be sit-outs, i.e. after the last lane the car has to be handed to the race direction immediately and will be handed back before the next heat. With 12 - 16 teams there will be 2 separate groups. If the teams are divided into two groups, the first group to run is the one with the lower qualified teams. The heats will alternate, i.e. the group with the lower qualified teams will run one heat first, then the group with best qualified teams will run one heat, and so on. For Sunday, for the beginning of heat 9, the teams are rearranged into the groups based on the Saturday results. During lane change cars may not be touched. Repairs only during race time. During race time, one team-mate of each team in that group must marshal.

7.3 TECHNICAL SPECIFICATIONS

Group 27. Chapter 3 applies.

Exception: 2 bodies are allowed (same colour, same type). The reserve body must stay in Parc Fermé. It can be taken from there for the change, and then the other body must be replaced in parc fermé.

SLOT RACING EUROPEAN CHAMPIONSHIPS

SCHEDULE FOR THE RACE:

Sunday / Wednesday	Training (without glue)
07.00 - 08.00	
08.00 - 08.30	Box Stock G12 Qualifying
08.45 - 10.45	Box Stock G12 Semi-finals
11.15 - 12.15	Box Stock G12 FINAL
12.15 - 13.15	G27L Training
13.15 - 13.45	G27L Qualifying
14.00 - 16.15	G27L Quarterfinals
16.45 - 18.45	G27L Semi-finals
19.15 - 20.15	G27L FINAL
* 20.30 - 22.00	Training (with glue)
Wednesday / Thursday	Training (with glue)
07.00 - 22.00	
Thursday / Friday	G27 Training
07.00 - 08.00	G27 Qualifying
08.00 - 09.30	G27 Quarterfinals
10.00 - 13.00	G27 Semi-finals
13.30 - 15.30	G27 FINAL
16.00 - 17.15	Training (with glue)
17.30 - 20.00	Slot Party
20.00 -	
Friday / Saturday	Training (with glue)
07.00 - 08.00	OMO Qualifying
08.00 - 08.30	OMO FINALS
09.00 - 14.00	Training (with glue)
14.15 - 22.00	
Saturday / Sunday	Training (with glue)
07.00 - 08.00	G7 Qualifying
08.00 - 09.30	G7 Quarterfinals
10.00 - 13.00	G7 Semi-finals
13.30 - 15.30	G7 FINAL
16.00 - 17.00	
** 17.30 - 22.00	Training (spray glue)

* = Will apply, if spray classes will be driven in Wednesday

** = Will apply, if spray classes will be driven in Sunday